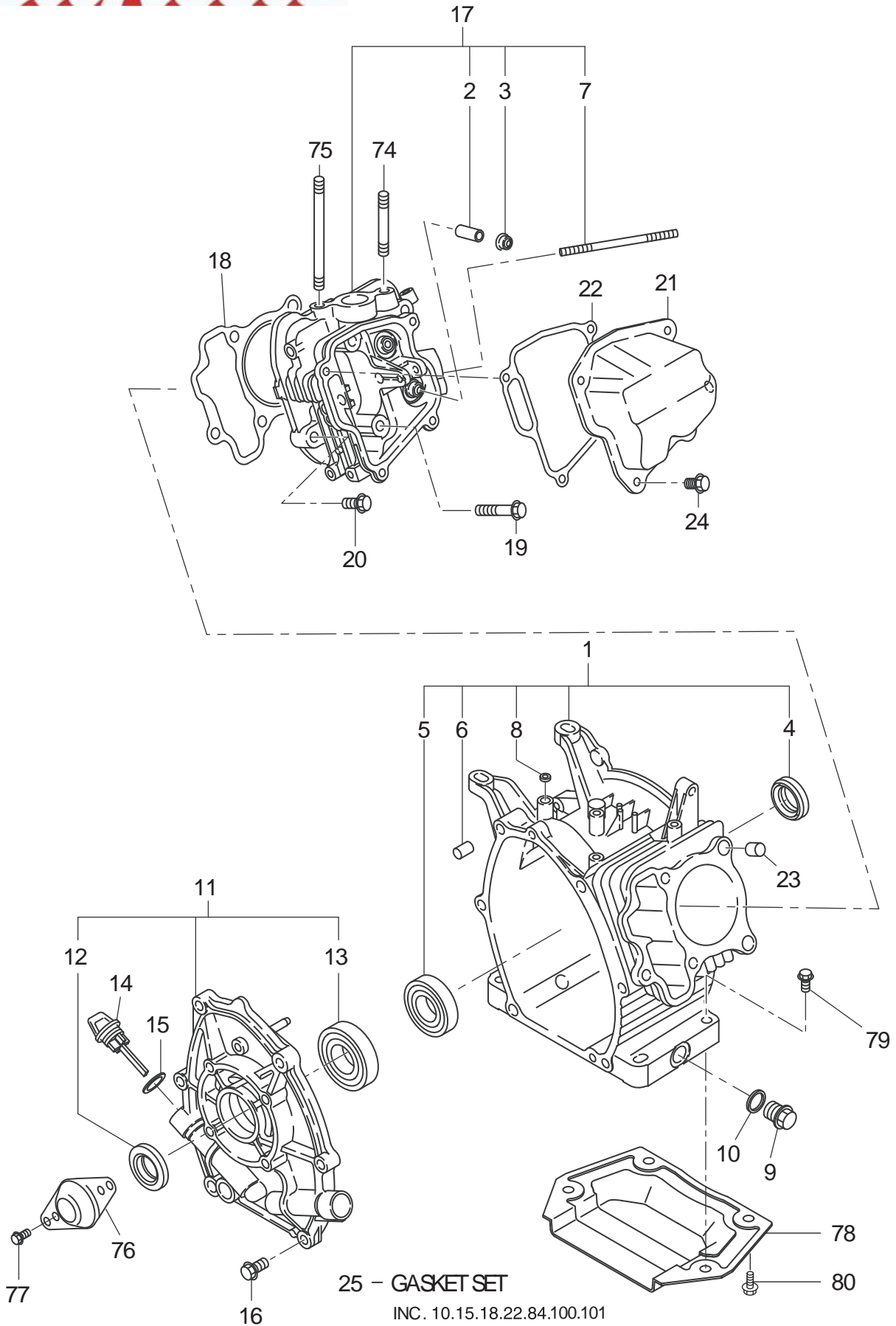




11 - 2010

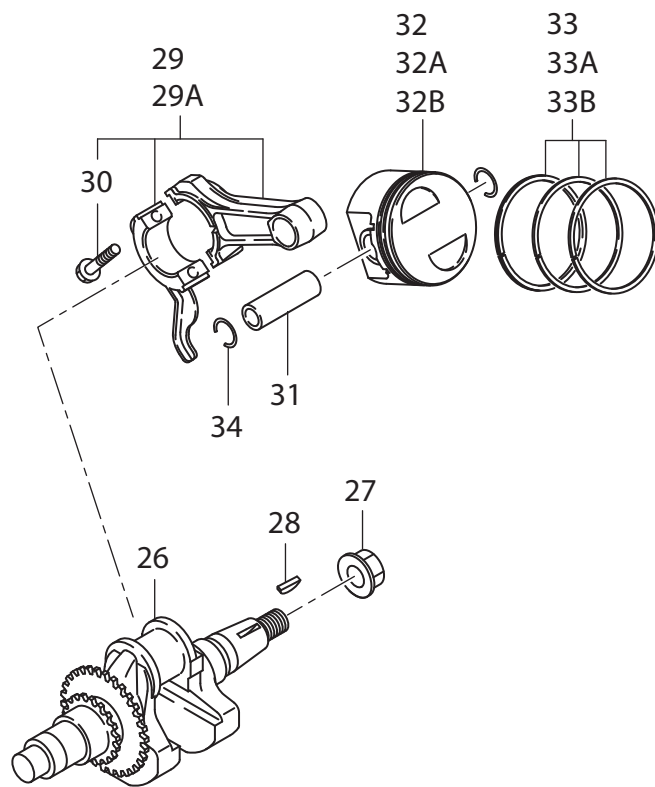
G2800I

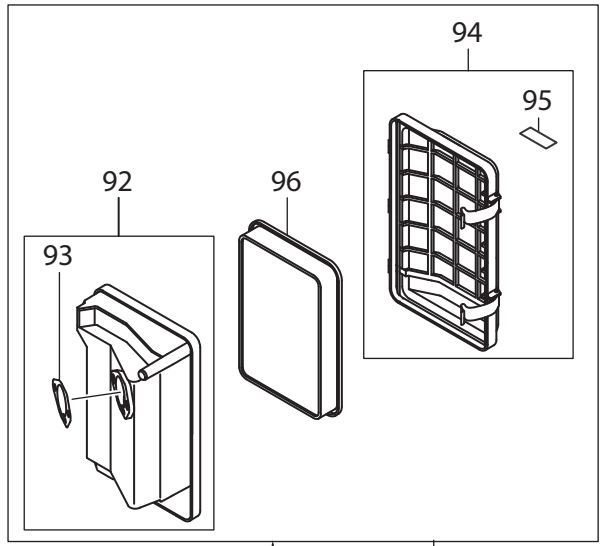
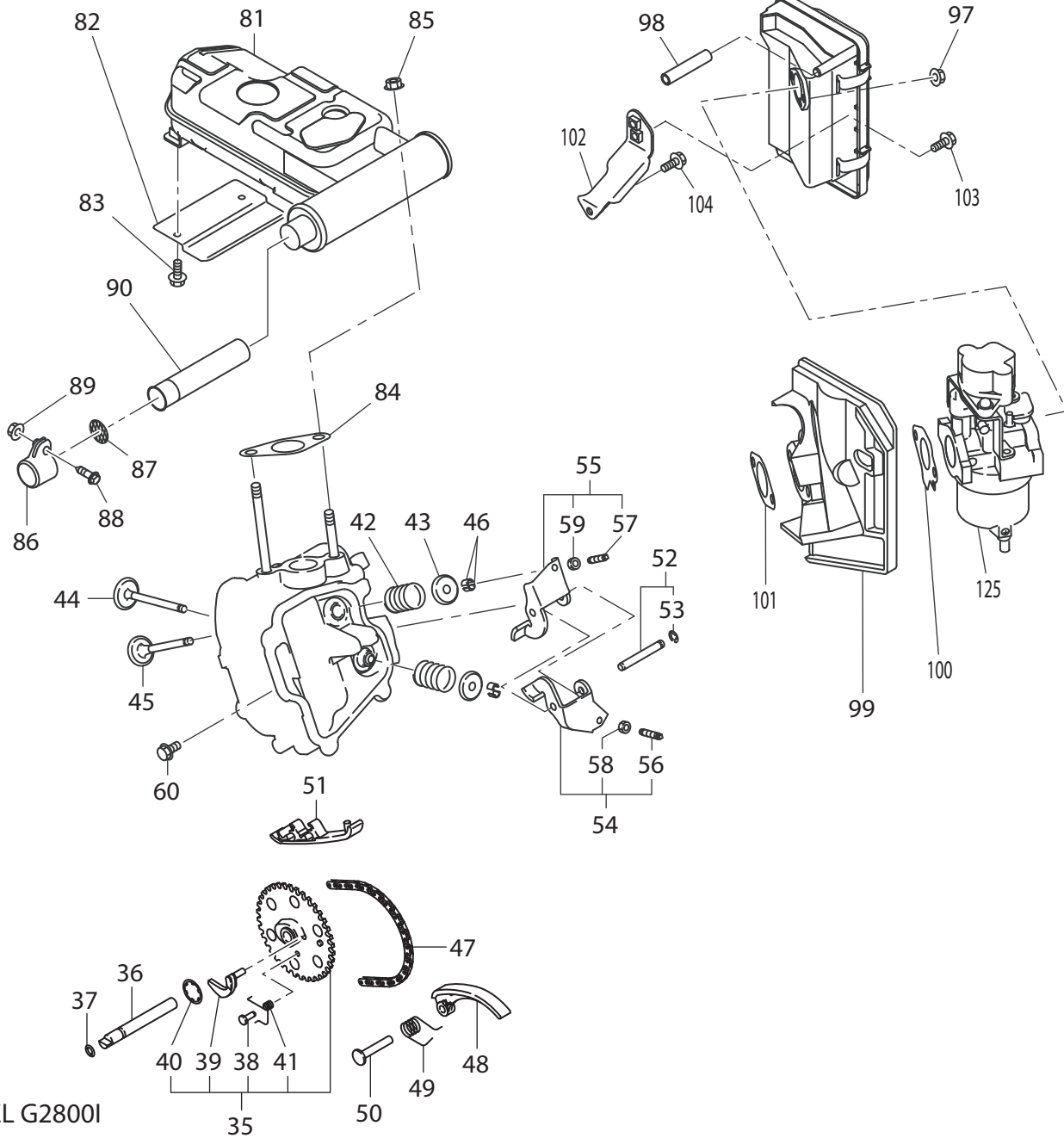
# INVERTER GENERATOR, 2800WATT

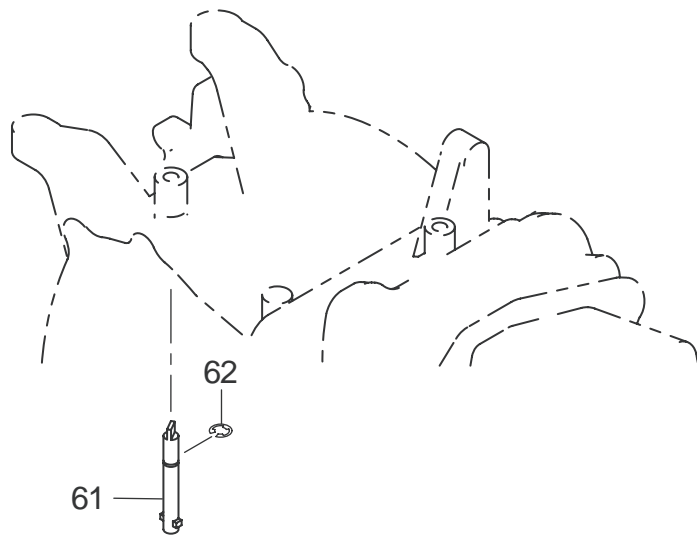


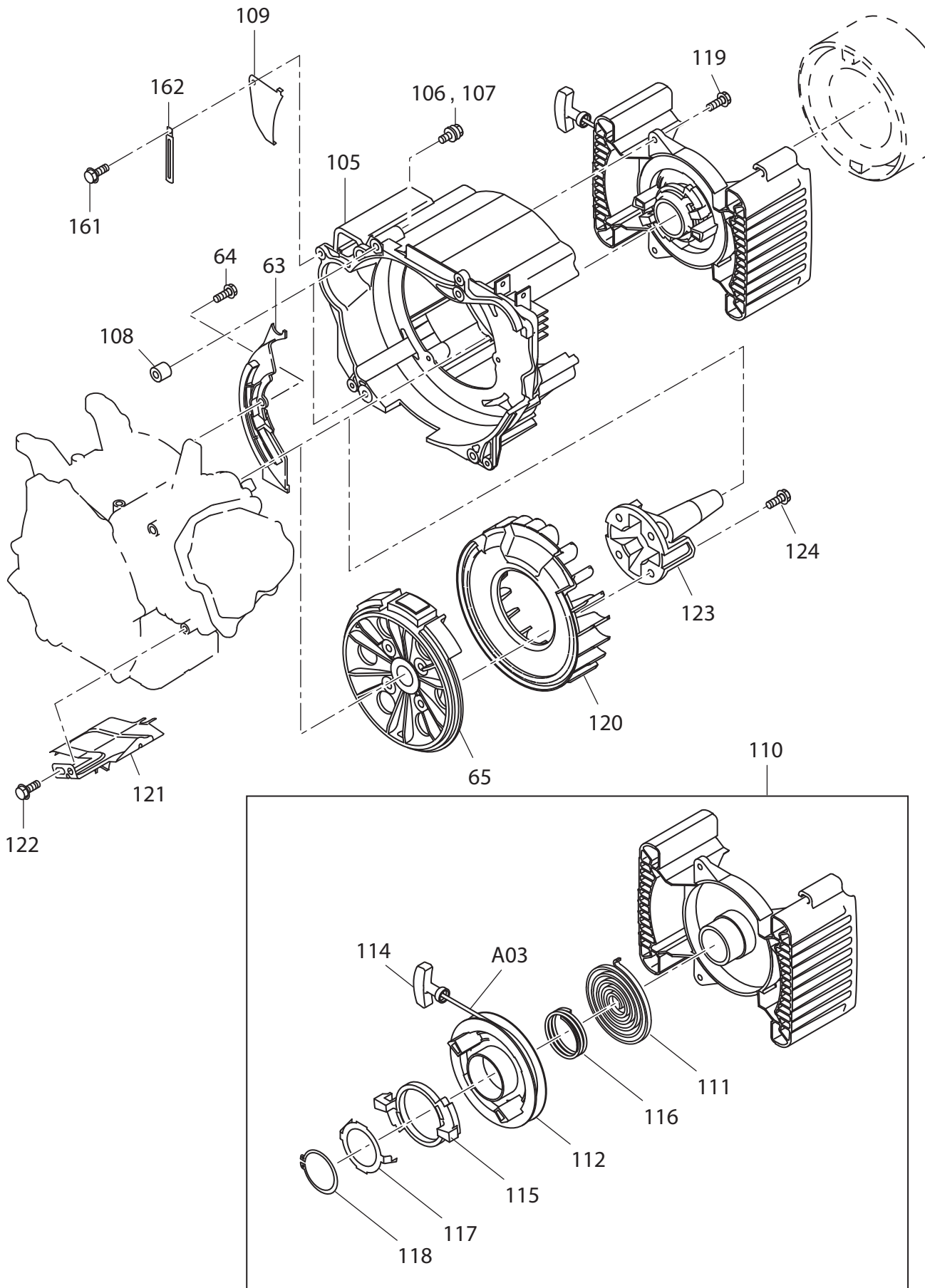
25 - GASKET SET

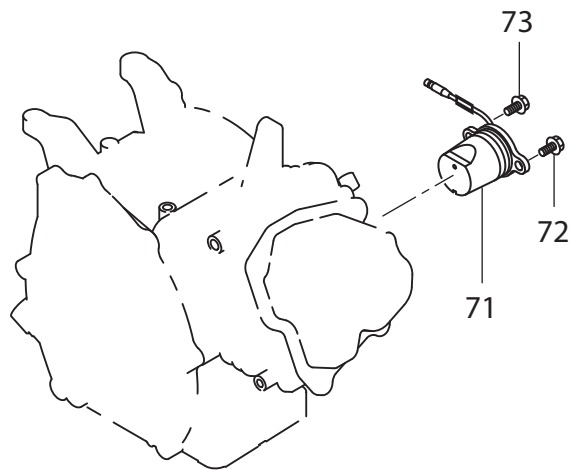
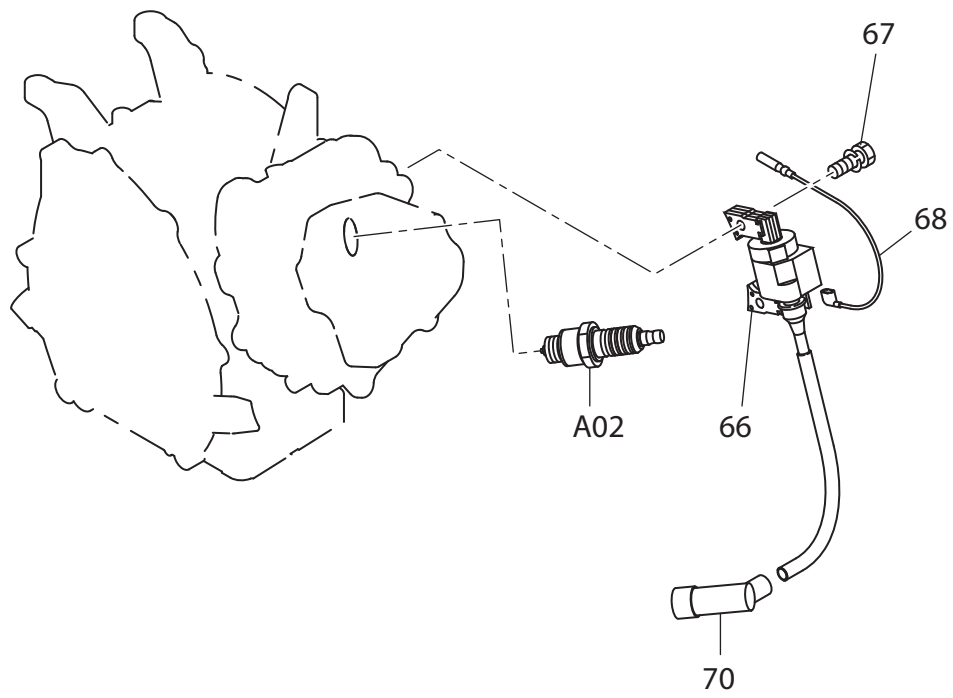
INC. 10.15.18.22.84.100.101



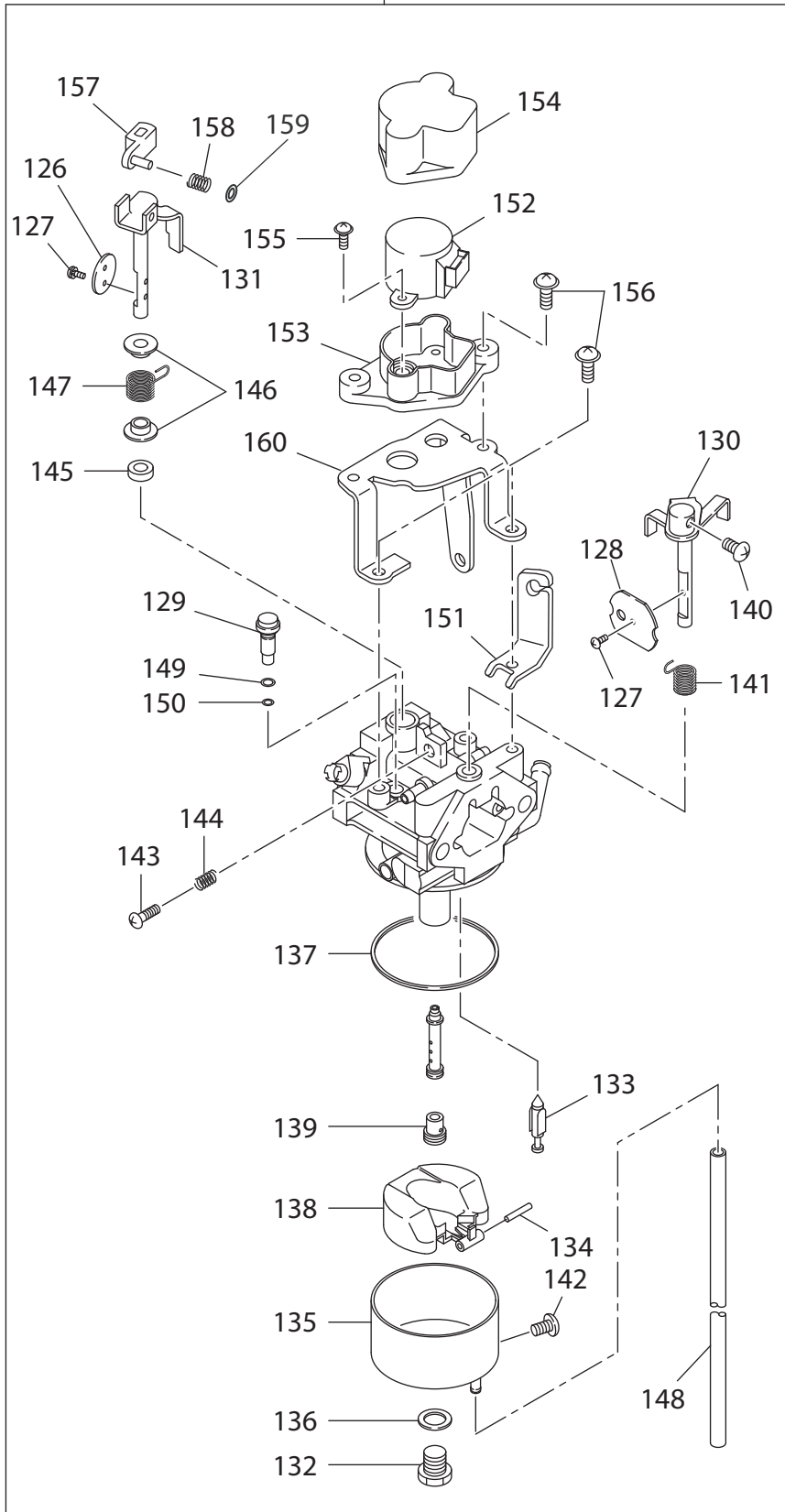


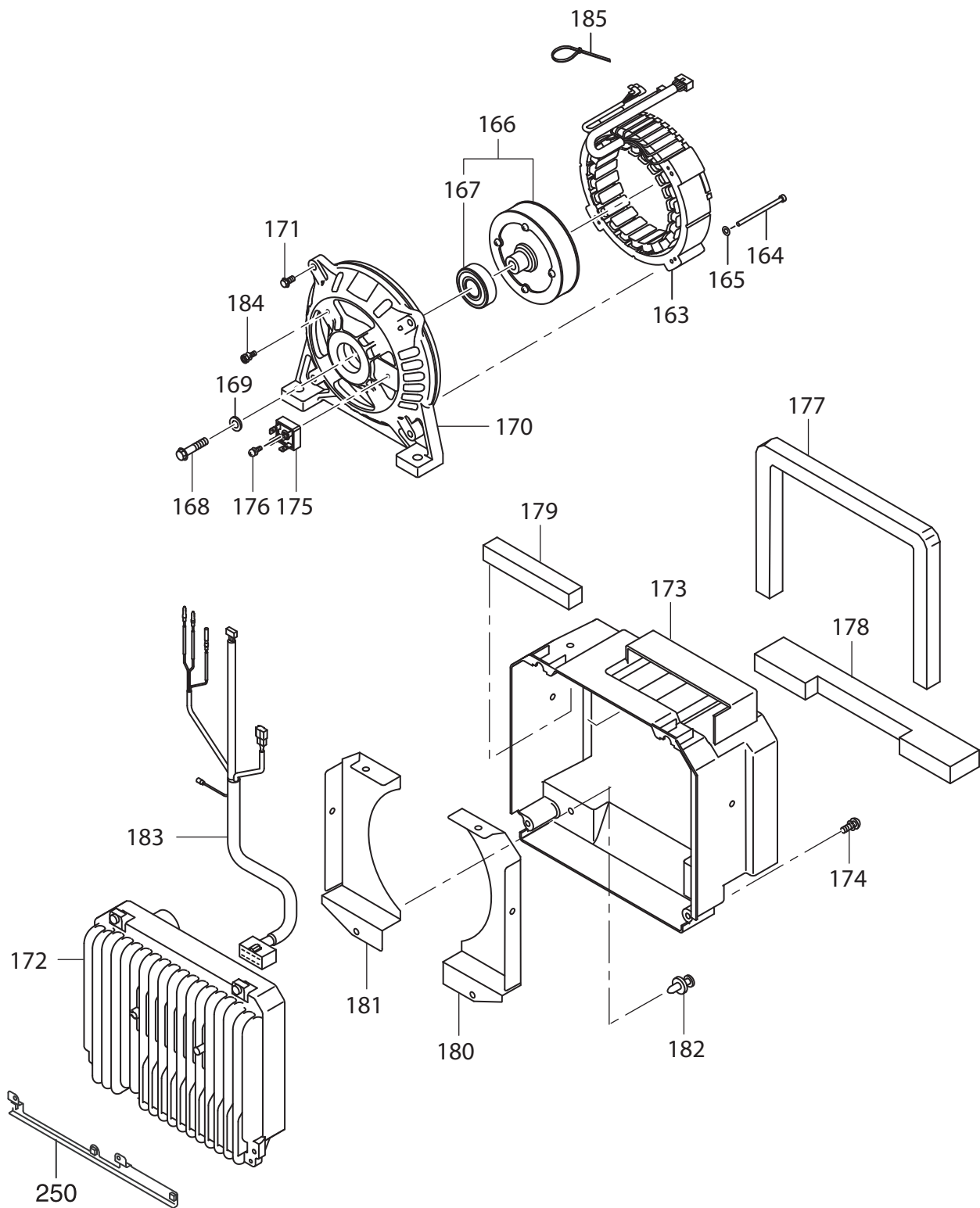


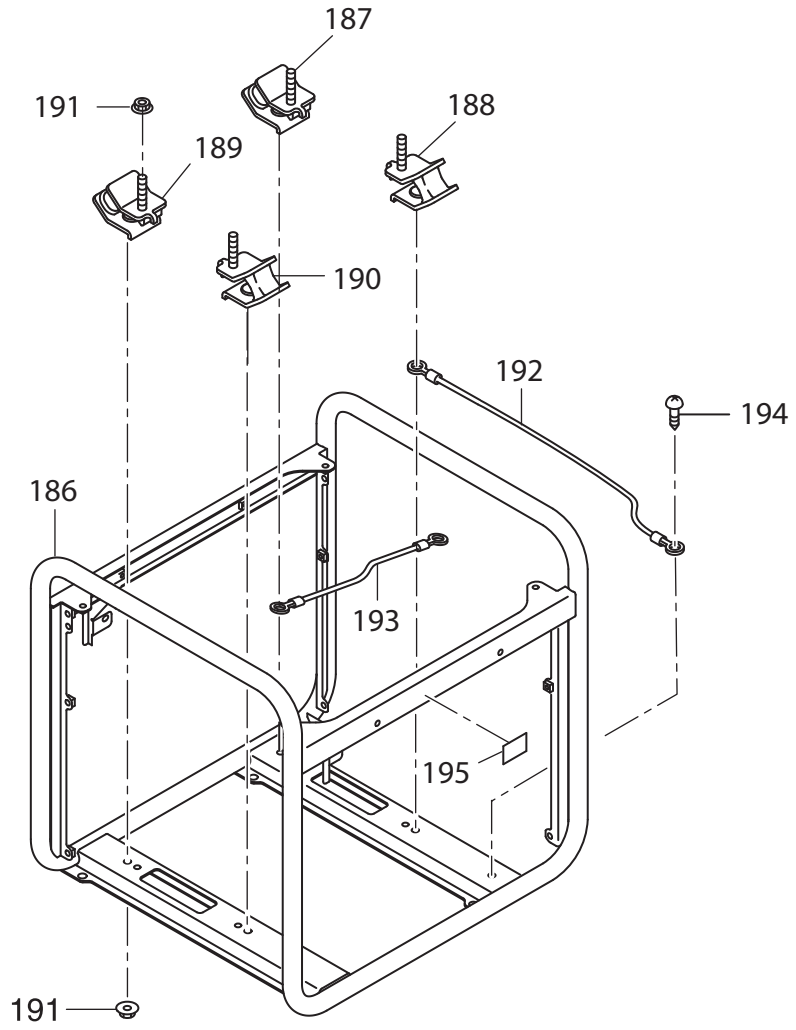


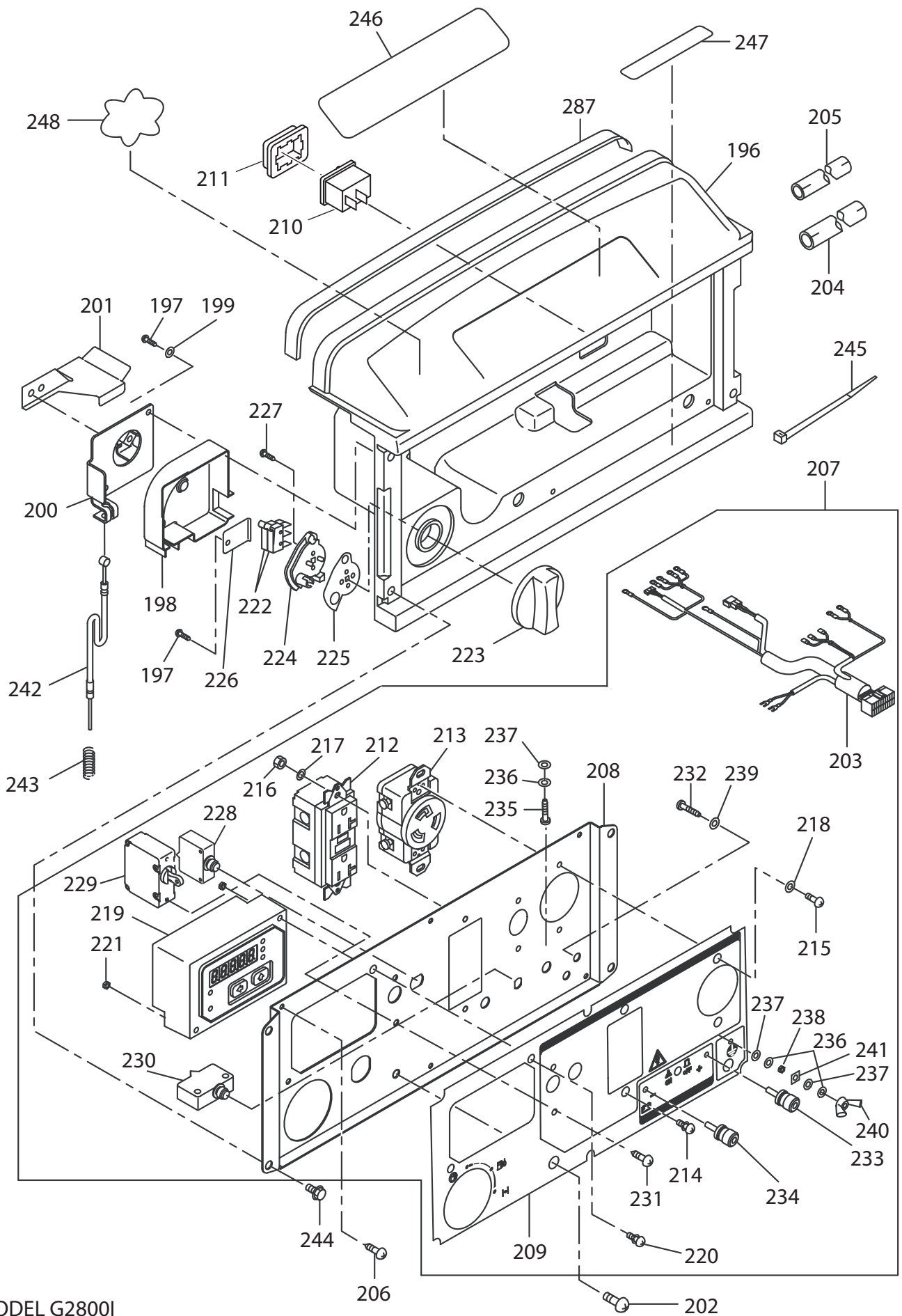


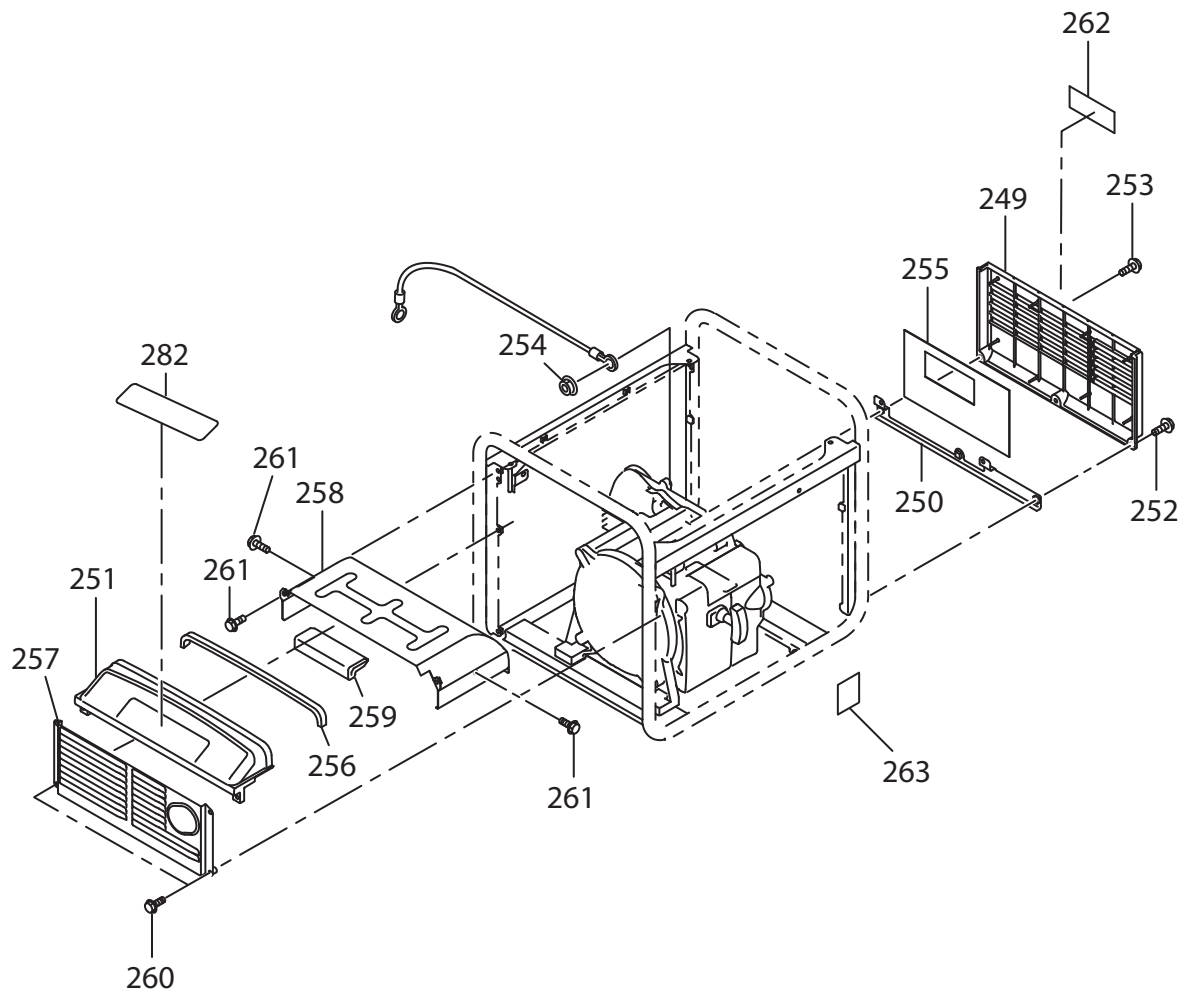
125

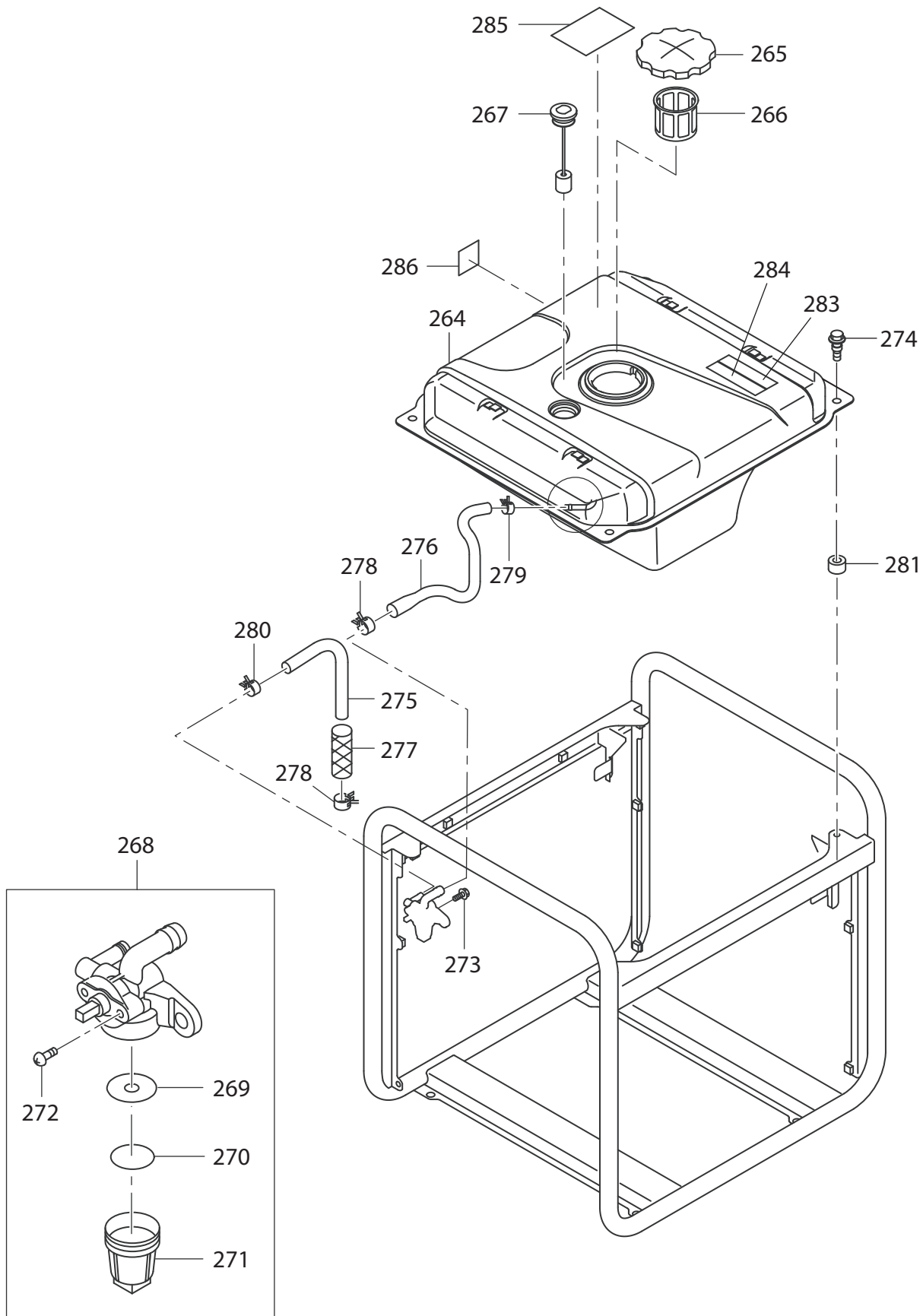


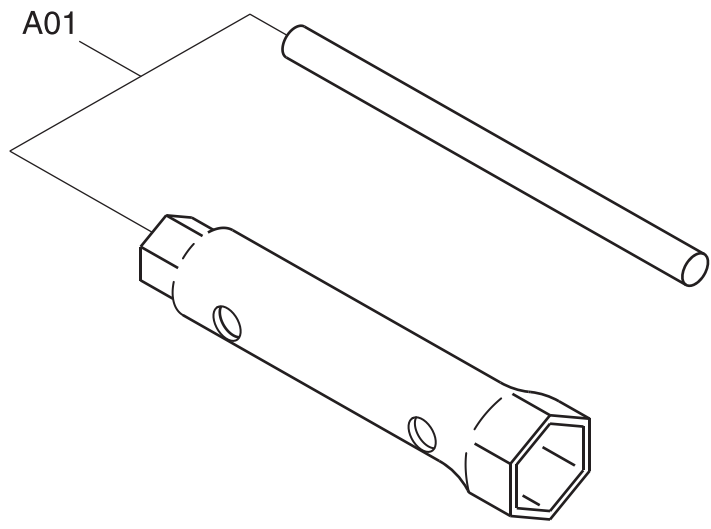












Item No	Type	Ref	Part No	Description	Qty	Unit
1	1		277-10102-41	CRANK CASE CP	1	PC.
		INC.		Item No. 4-6,8		
	2		277-10102-51	CRANK CASE CP	1	PC.
		INC.		Item No. 4-6,8		
2			237-14202-03	VALVE GUIDE	2	PC.
3			277-16010-01	STEM SEAL	1	PC.
4			044-02502-00	OIL SEAL	1	PC.
5			060-02800-21	BALL BEARING	1	PC.
6			277-15011-03	PIPE KNOCK	2	PC.
7			010-50603-51	STUD	2	PC.
8			044-00600-20	OIL SEAL	1	PC.
9			040-11400-30	PLUG	2	PC.
10			021-11400-20	GASKET	2	PC.
11	1		277-11001-31	MAIN BEARING COVER COM - N/L/A	1	PC.
		INC.		Item No. 12,13		
	2		277-11001-41	MAIN BEARING COVER COM	1	PC.
		INC.		Item No. 12,13		
12			044-02502-10	OIL SEAL	1	PC.
13	1		060-02501-40	BALL BEARING - N/L/A	1	PC.
	2		X60-02501-40	BALL BEARING 6205	1	PC.
14	1		277-63601-23	OIL GAUGE	2	PC.
	2		277-63601-30	OIL GAUGE ASSY	2	PC.
15	1		021-31600-20	GASKET	2	PC.
	2		X21-31600-20	GASKET	2	PC.
	3		277-63601-08	GASKET	2	PC.
16			001-04083-50	FLANGE BOLT	6	PC.
17			277-13005-01	CYLINDER HEAD CP	1	PC.
		INC.		Item No. 2,3,7		
18	1		277-15001-23	GASKET (HEAD) (Type 1 - 2)	1	PC.
	3		277-15001-33	GASKET(HEAD) (Component of 277-99001-47)	1	PC.
	4		277-15001-43	GASKET(HEAD) (Component of 277-99001-57)	1	PC.
19			011-00802-40	FLANGE BOLT	4	PC.
20			011-00803-10	FLANGE BOLT	1	PC.
21			277-15503-01	ROCKER COVER CPL	1	PC.
22			277-16001-13	GASKET (ROCKER COVER)	1	PC.
23			277-15011-03	PIPE KNOCK	2	PC.
24			011-00600-20	FLANGE BOLT	4	PC.
25	1		277-99001-27	GASKET SET EX17.21	1	PC.
		INC.		Item No. 10,15,18,22,84,100,101		
	3		277-99001-47	GASKET SET (OLD# 277-99001-27)	1	PC.
		INC.		Item No. 10,15,18,22,84,100,101		
	4		277-99001-57	GASKET SET	1	PC.
		INC.		Item No. 10,15,18,22,84,100,101		
26			277-20501-01	CRANK SHAFT CP	1	PC.
27			018-01400-20	FLANGE NUT	1	PC.
28			032-30300-10	WOODRUFF KEY	1	PC.
29			277-22501-10	CONNECTING ROD ASSY	1	PC.
		INC.		Item No. 30		
29A			277-22502-00	CONNECTING ROD ASSY	1	PC.
		INC.		Item No. 30		
30			277-23001-03	CONNECTING ROD BOLT	2	PC.
31			277-23301-13	PISTON PIN	1	PC.
32			277-23401-J3	PISTON	1	PC.
32A			277-23403-J3	PISTON, 0.25 O.S.	1	PC.
32B			277-23404-J3	PISTON, 0.50 O.S.	1	PC.

Item No	Type	Ref	Part No	Description	Qty	Unit
33	1		277-23501-17	PISTON RING SET STD	1	PC.
	2		277-23531-07	PISTON RING SET STD OIL 3PCS	1	PC.
33A	1		277-23502-17	PISTON RING SET 0.25 O.S. - N/L/A	1	PC.
	2		277-23532-07	PISTON RING SET.25 O.S.OIL3PCS	1	PC.
33B	1		277-23503-17	PISTON RING SET 0.50 O.S. - N/L/A	1	PC.
	2		277-23533-07	PISTON RING SET.50 O.S.OIL3PCS	1	PC.
34			056-51600-10	CLIP	2	PC.
35	1		278-31601-31	CAM SHAFT CP	1	PC.
		INC.		Item No. 38-41		
	2		278-31601-41	CAM SHAFT CP	1	PC.
		INC.		Item No. 38-41		
36			277-35101-01	PIN(CAM SHAFT)CPL	1	PC.
37			024-00600-10	O RING (OLD) - N/L/A	1	PC.
38			277-38601-03	PIN (SPRING)	1	PC.
39	1		277-36401-03	RELEASE LEVER	1	PC.
	2		277-36401-13	RELEASE LEVER	1	PC.
40			277-36501-03	CLIP	1	PC.
41			279-38701-13	RETURN SPRING	1	PC.
42			279-33601-03	VALVE SPRING	2	PC.
43			269-33701-03	SPRING RETAINER	2	PC.
44			277-33401-H3	INTAKE VALVE	1	PC.
45			277-33501-H3	EXHAUST VALVE	1	PC.
46			132-10KA0-31	COLLET VALVE	4	PC.
47	1		277-35601-11	TIMING CHAIN COMPLETE - N/L/A	1	PC.
	2		277-35602-H1	TIMING CHAIN COMPLETE	1	PC.
48			277-36911-03	TENTIONER	1	PC.
49			277-37101-03	SPRING (TENTIONER)	1	PC.
50			277-36902-03	PIN (TENTIONER)	1	PC.
51			277-36913-13	CHAIN GUIDE	1	PC.
52	2		277-35004-01	PIN(ROCKER) CP (OLD# 277-35002-01 - N/L/A)	1	PC.
		INC.		Item No. 53		
53			003-13050-00	CLIP	1	PC.
54			277-36201-00	ROCKER ARM(IN) ASSY	1	PC.
		INC.		Item No. 56,58		
55			277-36202-00	ROCKER(EX) ASSY	1	PC.
		INC.		Item No. 57,59		
56			014-90500-20	ADJUST SCREW	1	PC.
57			014-90500-20	ADJUST SCREW	1	PC.
58			017-00500-30	NUT	1	PC.
59			017-00500-30	NUT	1	PC.
60			011-00600-20	FLANGE BOLT	1	PC.
61			277-48601-03	PIN (BLIND)	1	PC.
62			003-13050-00	CLIP	1	PC.
63			277-52711-21	BAFFLE 1 CPL	1	PC.
64			001-04061-60	FLANGE BOLT	1	PC.
65	1		277-79232-01	FLYWHEEL COMPLETE - N/L/A	1	PC.
	2		277-79232-11	FLYWHEEL COM.	1	PC.
66	1		277-79431-01	IGNITION COIL CPL	1	PC.
	2		277-79431-11	IGNITION COIL CPL	1	PC.
67			001-14062-50	BOLT & WASHER ASSY	2	PC.
68			277-73102-H1	WIRE 2 CPL	1	PC.
70			065-50002-70	SPARK PLUG CAP	1	PC.
71			277-76301-21	OIL LEVER SENSOR	1	PC.
72			001-14061-60	BOLT & WASHER ASSY	1	PC.
73			013-00602-60	BOLT&WASHER ASSY	1	PC.
74			010-50802-90	STUD	1	PC.
75			010-50805-10	STUD	1	PC.
76			277-87001-03	COVER(CRANKSHAFT)	1	PC.

Item No	Type	Ref	Part No	Description	Qty	Unit
77			011-00801-50	FLANGE BOLT	2	PC.
78			33B-35001-11	BOTTOM EXT. PLATE CP	1	PC.
79			011-00802-70	FLANGE BOLT	2	PC.
80			011-00801-50	FLANGE BOLT	2	PC.
81			277-30402-11	MUFFLER CP	1	PC.
82			33B-52601-03	BAFFLE	1	PC.
83			011-00601-60	FLANGE BOLT	2	PC.
84			277-35201-13	GASKET (MUFFLER)	1	PC.
85			980-20082-80	FLANGE NUT	2	PC.
86			277-37210-03	TAIL SCREEN COVER	1	PC.
87			277-37220-03	SCREEN	1	PC.
88			004-35051-60	SCREW & WASHER ASSY	1	PC.
89	1		002-18050-00	NUT	1	PC.
	2		264035-7	X. NUT M5	1	PC.
90			279-37603-01	SPARK ARRESTOR CPL	1	PC.
91	1		277-32622-20	AIR CLEANER ASSY	1	PC.
		INC.		Item No. 92,94,95		
	2		277-32622-30	AIR CLEANER ASSY	1	PC.
		INC.		Item No. 92,94		
92			277-32632-08	BASE CP	1	PC.
		INC.		Item No. 93		
93			277-32604-08	PACKING	1	PC.
94	1		277-32643-18	COVER CP	1	PC.
		INC.		Item No. 95		
	2		277-32643-28	COVER CP	1	PC.
95			073-20044-30	LABEL(CHOKE) (OLD)	1	PC.
96			277-32661-17	ELEMENT CP	1	PC.
97			002-38060-00	FLANGE NUT	2	PC.
98			085-10800-00	RUBBER PIPE 8DX11DX1000L	1	PC.
98			277-32762-08	BREATHER PIPE 8DX11DX95L	1	PC.
99	1		277-32910-03	INSULATOR	1	PC.
	2		277-32910-13	INSULATOR	1	PC.
100			277-35902-J3	GASKET 1 (INSULATOR)	1	PC.
101			277-35903-J3	GASKET 2 (INSULATOR)	1	PC.
102			277-39004-01	BRACKET(A/C)1 CP	1	PC.
103			011-00600-50	FLANGE BOLT	1	PC.
104			011-00601-50	FLANGE BOLT	1	PC.
105			277-52001-13	BLOWER HOUSING	1	PC.
106			001-14063-50	BOLT AND WASHER AY	1	PC.
107			001-14064-50	BOLT AND WASHER AY	3	PC.
108			980-40081-10	STR PIN - 8 X 10	2	PC.
109			277-56001-03	PLATE 3	1	PC.
110	1		277-50401-20	RECOIL STARTER AY	1	PC.
		INC.		Item No. 111,112,A03,114-118		
	3		277-50401-40	RECOIL STARTER AY	1	PC.
		INC.		Item No. 111,112,A03,114-118		
111			277-50402-08	SPIRAL SPRING	1	PC.
112			277-50403-08	REEL	1	PC.
114	1		277-50409-08	STARTER KNOB	1	PC.
	2		277-50409-18	STARTER KNOB	1	PC.
115			277-50404-08	RACHET	1	PC.
116			277-50405-08	FRICITION SPRING	1	PC.
117			277-50407-08	FRICITION PLATE	1	PC.
118			277-50406-08	RETAINING RING	1	PC.
119			011-00601-40	FLANGE BOLT	3	PC.
120			277-54101-23	COOLING BLOWER	1	PC.
121			277-52702-03	BAFFLE 2 (HEAD)	1	PC.
122			011-00600-20	FLANGE BOLT	1	PC.

Item No	Type	Ref	Part No	Description	Qty	Unit
123			277-24401-03	DRIVING SHAFT	1	PC.
124			011-01001-10	FLANGE BOLT	4	PC.
125			277-62330-20	CABURETOR ASSY (OLD# 277-62330-10 - N/L/A)	1	PC.
		INC.		Item No. 126-160		
126			277-62536-08	VALVE THROTTLE	1	PC.
127			284-62455-08	SCREW	3	PC.
128			284-62527-08	CHOKE VALVE (Old - N/L/A as indivisual part)	1	PC.
129			277-62422-08	JET, SLOW	1	PC.
130			284-62520-08	SHAFT ASSY(CHOKE)	1	PC.
131			277-62532-18	SHAFT SUB AY	1	PC.
132			284-62355-08	SCREW	1	PC.
133			279-62500-08	VALVE ASSY(NEEDLE)	1	PC.
134			284-62515-08	PIN, FLOAT LEVER	1	PC.
135			284-62550-08	CHAMBER ASSY(FLOAT)	1	PC.
136			251-62350-08	GASKET	1	PC.
137			284-62540-08	GASKET(CHAMBER)	1	PC.
138			284-62505-08	FLOAT ASSY	1	PC.
139			277-62409-08	JET,MAIN	1	PC.
140			284-62456-08	SCREW	1	PC.
141			284-62445-08	SPRING(CHOKE)	1	PC.
142			251-62661-08	SCREW (DRAIN)	1	PC.
143			277-62581-08	SCREW ADJUST	1	PC.
144			251-62449-08	SPRING	2	PC.
145			251-62559-08	BUSH	1	PC.
146			284-62561-08	COLLAR	2	PC.
147			284-62315-18	SPRING THROTTLE	1	PC.
148			277-62590-08	PIPE	1	PC.
149			284-62450-08	O RING	1	PC.
150			284-62451-08	O RING	1	PC.
151			277-62451-08	BRACKET, WIRE	1	PC.
152			284-62580-08	MOTOR	1	PC.
153			284-62576-18	BRACKET MOTOR	1	PC.
154			277-62595-08	COVER, MOTOR	1	PC.
155			284-62458-08	SCREW	2	PC.
156			284-62457-08	SCREW	5	PC.
157			284-62555-08	JOINT LEVER	1	PC.
158			284-62446-18	SPRING	1	PC.
159			284-62447-08	WASHER	1	PC.
160			284-62575-08	BRACKET	1	PC.
161			011-00600-20	FLANGE BOLT	1	PC.
162			056-60002-50	CLAMP	1	PC.
163			34B-21051-01	STATOR CP	1	PC.
164			34B-21051-08	BOLT	4	PC.
165			003-20050-00	SPRING WASHER	4	PC.
166			34B-20061-01	ROTOR CP	1	PC.
		INC.		Item No. 167		
167			34B-21001-08	BEARING	1	PC.
168			010-01002-00	BOLT	1	PC.
169			020-01001-60	WASHER	1	PC.
170			34B-23071-01	REAR COVER	1	PC.
171			001-14062-50	BOLT & WASHER ASSY	4	PC.
172			KU5-12102-01	INV&E/G C/U CP(F2)	1	PC.
173			34B-55002-03	COVER (INVERTOR)2	1	PC.
174			004-36051-60	SCREW AND WASHER AY	2	PC.
174			266494-1	PH SCREW M5X16	2	PC.
175			34K-20903-08	DIODE	1	PC.
176			34K-20904-08	SCREW	1	PC.

Item No	Type	Ref	Part No	Description	Qty	Unit
177			34B-57301-13	SEAL SPONGE IV1	1	PC.
178			34B-57302-13	SEAL SPONGE IV2	1	PC.
179			34B-57303-13	SEAL SPONGE IV3	1	PC.
180			34B-55011-03	INV SHIELD 1	1	PC.
181			34B-55012-03	INV SHIELD 2	1	PC.
182			34B-55021-01	CLIP	6	PC.
183			34B-48102-01	WIRE HARNESS(E/G)CP	1	PC.
184			34K-20905-08	SCREW	1	PC.
185			34K-20907-08	BAND	2	PC.
186			34B-30101-01	PIPE FRAME(INV)CP	1	PC.
187			32B-30211-11	MOUNT CP (R)	1	PC.
188			32B-30212-11	MOUNT CP (L)	1	PC.
189			32B-30202-11	MOUNT CP (L)	1	PC.
190			32B-30201-11	MOUNT CP (R)	1	PC.
191			002-38080-00	FLANGE NUT	8	PC.
192			33B-48091-01	EARTH WIRE CP	1	PC.
193			34B-48091-01	EARTH WIRE CPL	1	PC.
194			014-00601-21	SCREW	1	PC.
195			073-20055-20	LABEL (PLUG CAUTION)	1	PC.
196			33B-50002-01	FRONT COVER(UPPER) CPL	1	PC.
197			015-00400-70	TAPPING SCREW	3	PC.
198			33B-46001-03	COVER(COCK)	1	PC.
199			003-10040-00	WASHER	2	PC.
200			33B-46012-11	BRACKET(COCK)	1	PC.
201			33B-46033-01	COVER PLATE CPL	1	PC.
202			004-36061-60	SCREW AND WASHER AY	2	PC.
203			34B-48015-11	WIRE HARNESS CP	1	PC.
204			34B-55031-03	TUBE(8P)	1	PC.
205			34B-55032-03	TUBE(4P)	1	PC.
206			353-49904-08	TAPPING SCREW	6	PC.
207			34B-41C25-00	CONTROL PANEL AY	1	PC.
		INC.		Item No. 203,208,209,212-221,228-241		
208			33B-45018-11	PANEL PLATE CP	1	PC.
209			34B-49042-03	SHEET(PANEL VR)42	1	PC.
210	1		34K-41812-03	ROCKER SWITCH	1	PC.
	2		33B-40007-08	ROCKER SWITCH	1	PC.
211			34K-41813-03	SWITCH COVER	1	PC.
212	1		388-85003-01	AC RECEPTACLE, 125V-20A	1	PC.
	2		33K-49951-01	AC RECEPTACLE, 125V-20A	1	PC.
213			356-45711-08	AC RECEPTACLE, 125V-30A	1	PC.
214			004-35041-00	SCREW & WASHER ASSY	2	PC.
215			356-59937-08	SCREW & WASHER ASSY	2	PC.
216	1		002-27040-00	NUT - N/L/A	2	PC.
	2		002-17040-00	NUT	2	PC.
217			003-10040-00	WASHER	2	PC.
218			326-00335-08	SPRING WASHER	2	PC.
219	1		KU3-11760-11	MONITOR C/U CP(INV/I) - N/L/A	1	PC.
	2		KU3-11762-01	MONITOR C/U CP (INV1)	1	PC.
220			013-10400-80	SCREW & WASHER ASSY	2	PC.
221			002-17040-00	NUT	2	PC.
222	1		33K-41811-03	MICRO SWITCH	2	PC.
	2		33K-41812-03	MICRO SWITCH	2	PC.
223			33K-42010-03	CONTROL DIAL	1	PC.
224			33K-42020-03	CHOKE REEL	1	PC.
225			33K-42030-23	PLATE	1	PC.
226			33B-46015-01	BRACKET(MICRO)	1	PC.

Item No	Type	Ref	Part No	Description	Qty	Unit
227			33K-41814-08	TAPPING SCREW	2	PC.
228			32B-43404-01	CIRCUIT BREAKER	1	PC.
229			32B-43201-01	CIRCUIT BREAKER	1	PC.
230			32B-43402-01	CIRCUIT BREAKER	1	PC.
231			31B-79011-03	SCREW&WASHER ASSY	2	PC.
232			32B-43061-03	SCREW	1	PC.
233			363-45701-08	TERMINAL BOLT RED 20A	1	PC.
234			363-45700-08	TERMINAL BOLT BLACK 20A	1	PC.
235			388-88001-03	SCREW (M5)	1	PC.
236			332-00050-08	SPRING WASHER	3	PC.
237			353-49903-08	WASHER	3	PC.
238			353-49902-08	NUT	1	PC.
239			003-30050-00	LOCK WASHER	1	PC.
240			353-49901-08	WING NUT (M5)	1	PC.
241			33K-42101-03	PLATE	1	PC.
242			33B-46021-01	CHOKE WIRE CPL	1	PC.
243			226-45001-03	RETURN SPRING	1	PC.
244			014-00601-90	SCREW	4	PC.
245			056-30000-60	WIRE BAND	4	PC.
246			34B-90012-03	LABEL(TRADE MARK)	1	PC.
247			33K-94007-03	LABEL(WARNING)	1	PC.
248			34K-92110-13	ECON LABEL	1	PC.
249			33B-50101-01	FRONT COVER(LOWER) CPL	1	PC.
250			33B-35501-01	BRACKET(COVER) CPL	1	PC.
251			33B-50501-01	REAR COVER(UPPER) CPL	1	PC.
252	1		011-00601-80	FLANGE BOLT - N/L/A	2	PC.
	2		011-00601-40	FLANGE BOLT	2	PC.
253			001-11062-50	BOLT AND WASHER AY	1	PC.
254			002-38060-00	FLANGE NUT	1	PC.
255			34B-57310-03	SEAL SPONGE FC1	1	PC.
256			34B-57311-03	SEAL SPONGE FC2	2	PC.
257			33B-56001-01	MUFFLER COVER CP	1	PC.
258			33B-56051-01	MUFFLER COVER(S) CP	1	PC.
259			33B-57005-03	SEAL RUBBER	1	PC.
260	1		011-00601-80	FLANGE BOLT - N/L/A	4	PC.
	2		011-00601-40	FLANGE BOLT	4	PC.
261			011-00600-80	FLANGE BOLT	4	PC.
262	1		34B-96109-03	LABEL (SPEC)	1	PC.
	2		34B-96109-13	LABEL (SPEC)	1	PC.
263			33B-97102-13	LABEL(CAUTION)	1	PC.
264			34B-60102-01	FUEL TANK CP	1	PC.
265			043-05900-11	FUEL TANK CAP ASSY	1	PC.
266			064-15400-11	FUEL FILTER	1	PC.
267			064-80015-00	FUEL GAUGE CPL	1	PC.
268			064-20103-00	FUEL STRAINER ASSY	1	PC.
		INC.		Item No. 269-272		
269			064-20093-20	PACKING	1	PC.
270			064-20064-10	RUBBER PACKING	1	PC.
271			064-20078-10	CUP	1	PC.
272			064-20047-90	SCREW	2	PC.
273			011-00600-20	FLANGE BOLT	1	PC.
274			011-00602-20	BOLT TYPE 2	4	PC.
275			085-19600-00	RUBBER PIPE (CUT INTO 240mm)	1	PC.
276			33B-66002-03	RUBBER PIPE	1	PC.
277			251-17302-03	MESH PROTECTOR	1	PC.
278			056-11000-30	HOSE CLAMP	2	PC.

Item No	Type	Ref	Part No	Description	Qty	Unit
279			056-11100-20	HOSE CLAMP	1	PC.
280			056-11300-10	HOSE CLAMP	1	PC.
281			391-39000-13	RUBBER WASHER TYPE 2	4	PC.
282			33B-97132-13	LABEL(TRADE MARK) RC	1	PC.
283			377-92500-03	CAUTION LABEL	1	PC.
284			377-92502-03	LABEL(CAUTION)	1	PC.
285			073-20045-10	LABEL (SYMBOL-TANK)	1	PC.
286			31G-81027-03	LABEL(NOISE)	1	PC.
287			34B-57311-03	SEAL SPONGE FC2	1	PC.
288			34K-42074-03	SPRING (DIAL) (Added)	1	PC.
289			33K-42071-03	BALL(DIAL) (Added)	1	PC.
290			073-20059-90	Label (Caution CO GAS) (Added on FUEL TANK)	1	PC.

**ACCESSORIES**

- See Catalogue or visit [www.makita.ca](http://www.makita.ca) for more optional accessories -

A01	1		277-90301-H0	ACCESSORY TOOL KIT	1	PC.
	2		277-90301-J0	ACCESSORY TOOL KIT	1	PC.
A02	1		065-01401-50	SPARK PLUG (USE 065-01402-10)	1	PC.
	2		065-01402-10	SPARK PLUG	1	PC.
A03			277-50408-08	STARTER ROPE	1	PC.
A04			110004-B	WHEEL KIT (See Parts breakdown 110004-B)	1	PC.